

# HG2000 potting bench

## ASSEMBLY INSTRUCTIONS

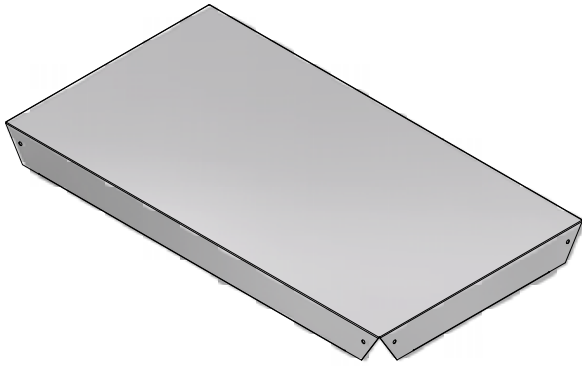


### **IMPORTANT**

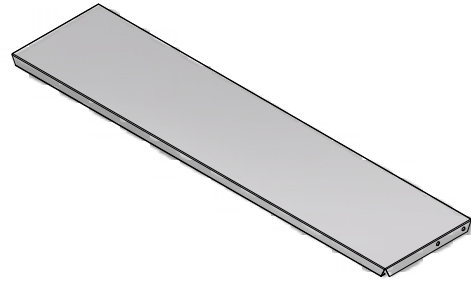
Please read these instructions carefully before you start to assemble this display. Save these instructions for future reference.



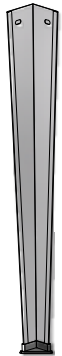
# PARTS IDENTIFICATION



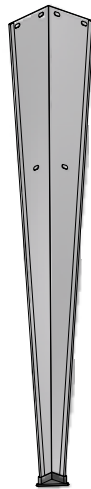
NT1000  
24" x 44" TABLE TOP  
(1)



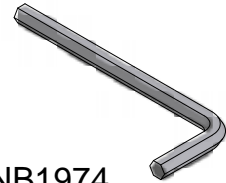
NT1009  
10" x 44" UPPER SHELF  
(1)



NT1003  
30" LEG  
(2)



NT1013  
43" LEG  
(2)



NB1974  
3/16" HEX WRENCH  
(1)



NB1970  
CAP SCREW  
(12)



NB1862  
LOCK WASHER  
(12)



NB1886  
FLAT WASHER  
(12)

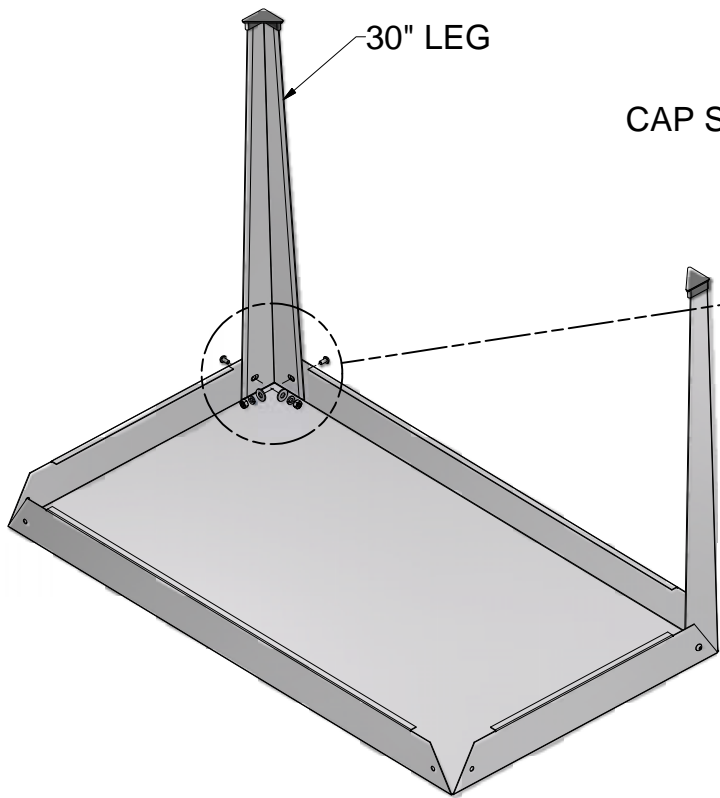


NB1872  
HEX NUT  
(12)

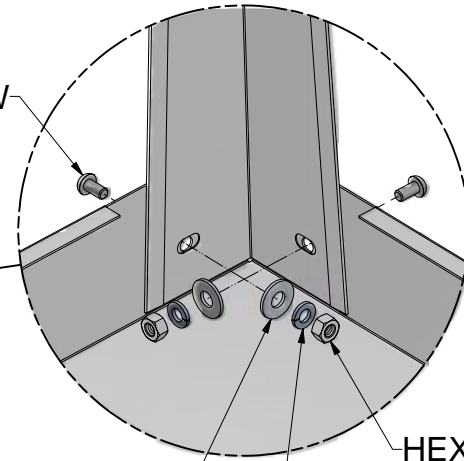
## TOOLS & EQUIPMENT REQUIRED

3/16" hex wrench (included) & 1/2" open-end wrench are required to assemble this product.

# ASSEMBLY INSTRUCTIONS



CAP SCREW



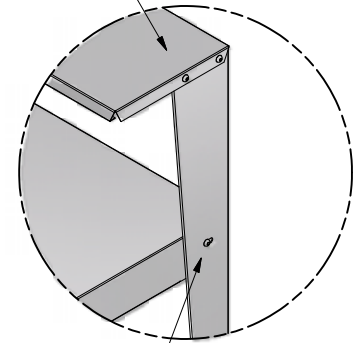
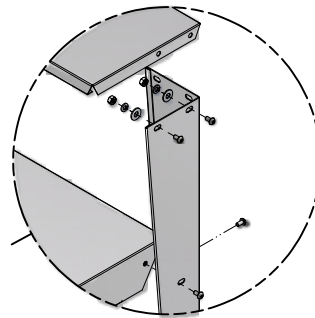
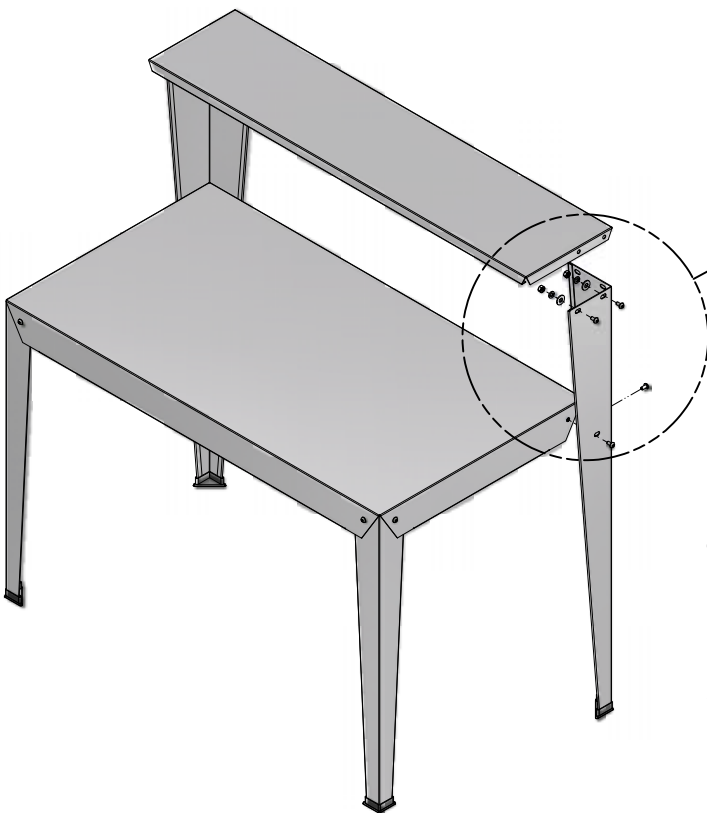
HEX NUT

FLAT WASHER

LOCK WASHER

1. PLACE 30" (SHORTER) LEGS INSIDE TABLE TOP AS SHOWN.
2. FASTEN TO TABLE TOP USING CAP SCREWS, FLAT WASHERS, LOCK WASHERS, AND HEX NUTS. DO NOT TIGHTEN AT THIS TIME.

SHELF IS ON OUTSIDE OF 43" LEGS



LEG IS ON OUTSIDE OF TABLE TOP

3. PLACE 43" (LONGER) LEGS OUTSIDE OF TABLE TOP AS SHOWN.
4. FASTEN TO TABLE TOP USING CAP SCREWS, FLAT WASHERS, LOCK WASHERS, AND HEX NUTS. DO NOT TIGHTEN AT THIS TIME.
5. PLACE UPPER SHELF OVER TOPS OF 43" LEGS AND FASTEN USING HARDWARE PROVIDED.
6. STRAIGHTEN LEGS AND TIGHTEN ALL SCREWS SECURELY.

## SAFETY GUIDELINES

**Do not** climb, sit on, or use this product as a ladder. Injuries may occur.

**Do not** place or install electrical items on this product. Wet conditions are typical and electrical shock may occur.

**Do not** place this product on a slope that exceeds 3 degrees.

**Do not** move this display after product is in place. Damage to display and injuries may occur.

**Lock casters** (when provided) once display is in place to prevent movement.

**Remove all** debris or obstacles from caster's path before moving.

## CARE & MAINTENANCE

To remove loose soil and debris, simply spray the soiled areas with a garden hose.

Prior to storage, all surfaces of this product should be sprayed down with water and allowed to dry completely.

### Limited Warranty

Poly-Tex, Inc. warrants its products to be free from defects in material and workmanship for a period of (1) year from date of invoice. This warranty is provided to the original purchaser of the product and is not transferable. Poly-Tex does not warrant parts not manufactured by Poly-Tex, but does assign any transferable manufacturer or supplier warranties. Should any defect be found, full repair or replacement will be rendered to the customer at no cost following inspection by a Poly-Tex representative and the return of the defective product to our Castle Rock, MN factory. Expenses for removal or reinstallation of defective products will not be covered by the warranty.

**POLY-TEX SHALL NOT BE HELD RESPONSIBLE FOR ANY SPECIAL OR CONSEQUENTIAL DAMAGES, OR FOR ANY DELAY IN PERFORMANCE OF THIS WARRANTY BEYOND OUR CONTROL. THIS WARRANTY IS EXCLUSIVE AND IN LIEU OF ALL OTHER WARRANTIES WHETHER IMPLIED, WRITTEN OR ORAL INCLUDING THE WARRANTIES OF MERCHANTABILITY AND FITNESS FOR A PARTICULAR PURPOSE.**

This warranty does not cover damage from customer abuse, misuse, improper installation, customer modifications, customer negligence in performing normal maintenance, damage resulting from acts of nature.

Contact information  
Poly-Tex, Inc. PO Box 458  
27725 Danville Ave Castle Rock, MN 55010  
Toll free (800) 852-3443 Fax (651) 463-2479  
[www.poly-tex.com](http://www.poly-tex.com)